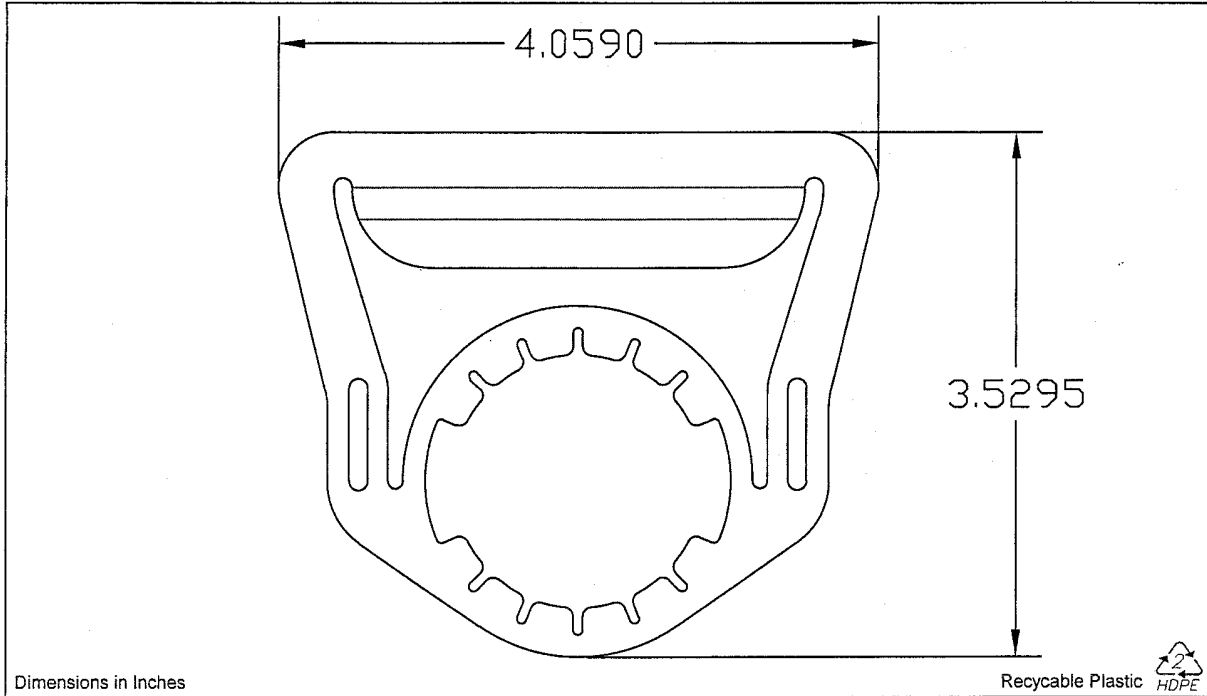


PLASTIC HANDLES & ACCESSORIES

Product Specification Sheet

196 Valois,
Vaudreuil-Dorion, Quebec
Canada J7V 1T4
866-455-0040 Fax 450-455-0030
info@plastic-handle.com

Product Group: **Bottle Carriers**
Item: **B150.48SHC**
Description: **Single Bail Slotted 48mm Cap**



Quality Specifications

Material:	High Density Polyethylene	Cartridge Count:	190
Gauge:	0.061" ± 0.001"	Cartridge Weight:	1,280.60
Flatness Gauge:	1 Part Thickness		
Surface Finish:	Gloss		
Part Weight :	6.74 grams		

*Ask us about customizing a product to meet your specifications.
Custom colors available from Pantone Matching System.*

Packaging Information		Loose: Case Id: NA	Welded: Case Id: 19C2
Case Quantity:	N/A		2,850
Case Dimensions:	N/A		19.875" x 12.125" x 11.125"
Pads per Case:	N/A		3
Pad Dimensions:	N/A		19.25" x 11.875"
Case Weight:	N/A		42.20 lbs
Pallet Weight:	N/A		Domestic - 1,517 lbs International - 1,517 lbs
Cases per Pallet:	N/A		Domestic - 35 International - 35
Parts per Pallet:	N/A		Domestic - 99,750 International - 99,750

Packaging Notes: Loose - N/A Welded - A 19P pad is placed on the bottom of a 19C2 case, followed by 3 layers of 5 welded sticks containing 190 parts (minimum). Each layer is separated by a 19P pad, another 19P pad is placed on top and the box is tape sealed.

For samples and price quotations please contact our office at 866-455-0040 or by email at info@plastic-handle.com