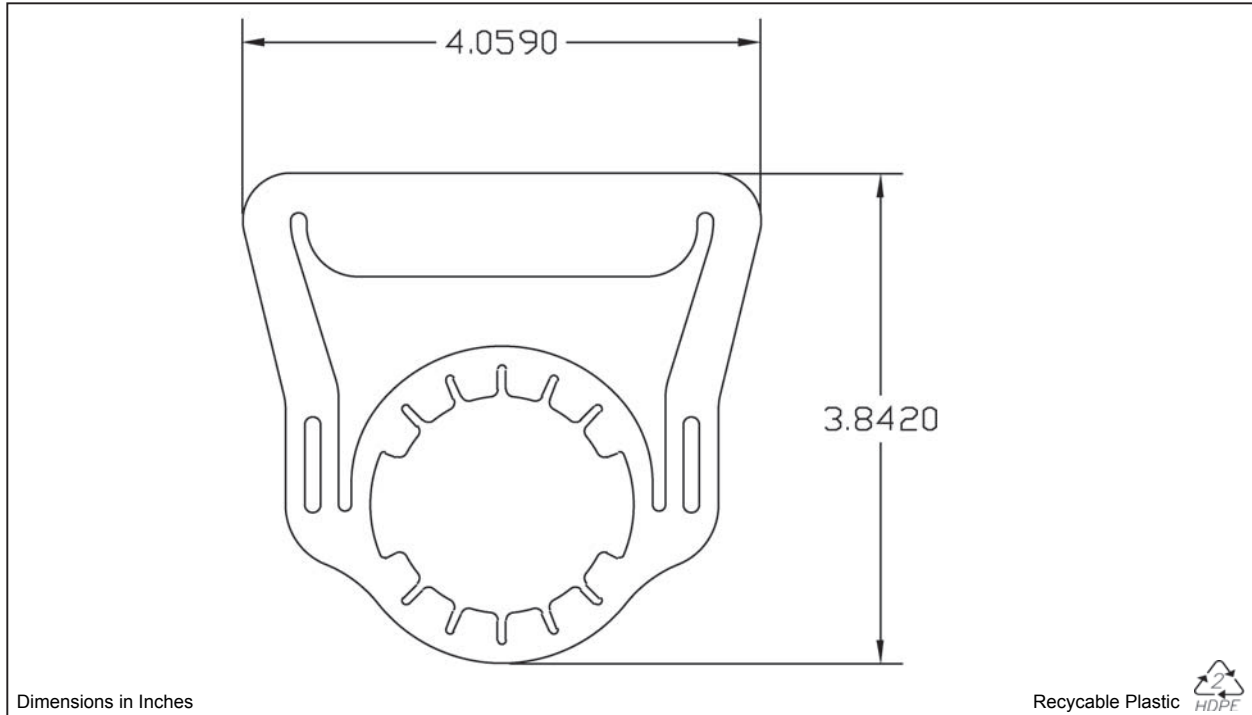


# PLASTIC HANDLES & ACCESSORIES

## Product Specification Sheet

196 Valois,  
Vaudreuil-Dorion, Quebec  
Canada J7V 1T4  
866-455-0040 Fax 450-455-0030  
info@plastic-handle.com

Product Group: **Bottle Carriers**  
Item: **B150.48LSHC**  
Description: **Single Bail Slotted 48mm Cap**



### Quality Specifications

<b>Material:</b>	High Density Polyethylene	<b>Cartridge Count:</b>	190
<b>Gauge:</b>	0.061" ± 0.001"	<b>Cartridge Weight:</b>	1,280.60
<b>Flatness Gauge:</b>	1 Part Thickness		
<b>Surface Finish:</b>	Gloss		
<b>Part Weight :</b>	6.74 grams		

*Ask us about customizing a product to meet your specifications.  
Custom colors available from Pantone Matching System.*

Packaging Information		Loose:	Case Id: NA	Welded:	Case Id: 19C2A
Case Quantity:	N/A			2,850	
Case Dimensions:	N/A			19.875" x 12.125" x 11.875"	
Pads per Case:	N/A			3	
Pad Dimensions:	N/A			19.25" x 11.875"	
Case Weight:	N/A			42.20 lbs	
Pallet Weight:	N/A			Domestic - 1,517 lbs	International - 1,812 lbs
Cases per Pallet:	N/A			Domestic - 35	International - 42
Parts per Pallet:	N/A			Domestic - 99,750	International - 119,700

**Packaging Notes:** Loose - N/A Welded - A 19P pad is placed on the bottom of a 19C2A case, followed by 3 layers of 5 welded sticks containing 190 parts (minimum). Each layer is separated by a 19P pad, another 19P pad is placed on top and the box is tape sealed.

For samples and price quotations please contact our office at 866-455-0040 or by email at info@plastic-handle.com