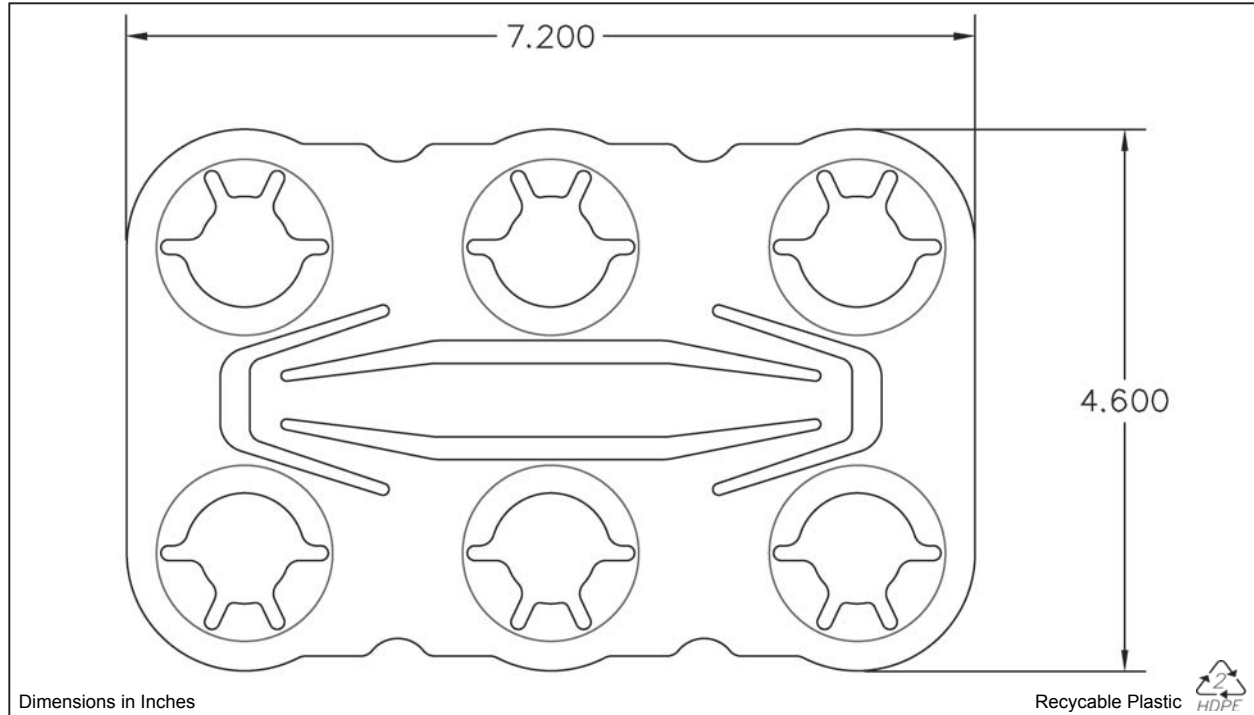


PLASTIC HANDLES & ACCESSORIES

Product Specification Sheet

196 Valois,
Vaudreuil-Dorion, Quebec
Canada J7V 1T4
866-455-0040 Fax 450-455-0030
info@plastic-handle.com

Product Group: **Bottle Carriers**
Item: **B626.28GL**
Description: **6 Pack Pop-up 28mm, Glass Beer Bottles**



Quality Specifications

Material: High Density Polyethylene
Gauge: 0.040" ± 0.001"
Flatness Gauge: 1 Part Thickness
Surface Finish: Gloss
Part Weight : 12.00 grams

*Ask us about customizing a product to meet your specifications.
Custom colors available from Pantone Matching System.*

Packaging Information		Loose:	Case Id: B626GC	Welded:	Case Id:
Case Quantity:	1,000			N/A	
Case Dimensions:	21.875" x 8.125" x 9.5"			N/A	
Pads per Case:	3			N/A	
Pad Dimensions:	17" x 7.5"			N/A	
Case Weight:	22.62 lbs			N/A	
Pallet Weight:	Domestic - 1,126 lbs International - 1,669 lbs			N/A	
Cases per Pallet:	Domestic - 48 International - 72			N/A	
Parts per Pallet:	Domestic - 48,000 International - 72,000			N/A	

Packaging Notes: Loose - 4 vertical stacks of 250 parts are placed in a B626GC carton. Then the carton is sealed. A Full pallet load consists of a 40" x 48" pallet with 1000 parts per carton. Welded - N/A.

For samples and price quotations please contact our office at 866-455-0040 or by email at info@plastic-handle.com