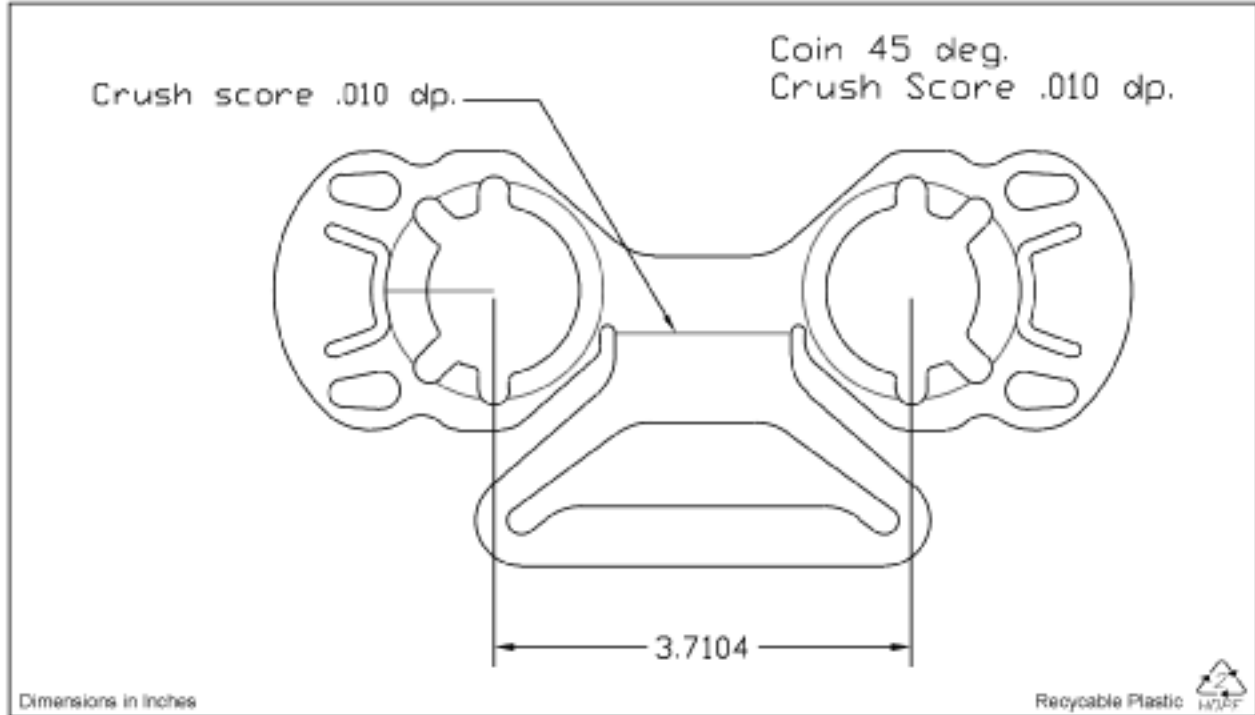


# PLASTIC HANDLES & ACCESSORIES

196 Valois,  
Vaudreuil-Dorion, Quebec  
Canada J7V 1T4  
866-455-0040 Fax 450-455-0030  
info@plastic-handle.com

Product Group: **Bottle Carriers**  
Item: **B236.38**  
Description: **2 Pack Bail 38mm Cap**



## Quality Specifications

**Material:** High Density Polyethylene  
**Thickness:** 0.0425" ± 0.0005"  
**Flatness Gauge:** 1 Part Thickness  
**Surface Finish:** Gloss  
**Part Weight :** 8.40 grams

*Ask us about customizing a product to meet your specifications.  
Custom colors available from Pantone Matching System.*

Packaging Information	Loose:	Case Id: 64C	Welded:	Case Id:
	Case Quantity:	1,200		N/A
Case Dimensions:	22.625x8.875x9		N/A	
Pads per Case:	5		N/A	
Pad Dimensions:	8.688" x 8.75"		N/A	
Case Weight:	24.20 lbs		N/A	
Pallet Weight:	Domestic - 1,589 lbs		N/A	
Cases per Pallet:	Domestic - 64		N/A	
Parts per Pallet:	Domestic - 76,800		N/A	

**Packaging Notes:** *Welded - A pad is placed on the bottom of the carton, followed by six vertical stacks of 200 parts. Each stack is separated by a vertical pad. Then the carton is sealed. A full pallet load consists of a 40" x 48" pallet with 8 layers of 8 cartons with 1200 parts per carton or 76,800 parts per pallet load. A 40" x 48" pallet pad is used between the 4th and 5th layers. Welded - N/A*

For samples and price quotations please contact our office at 866-455-0040 or by email at info@plastic-handle.com