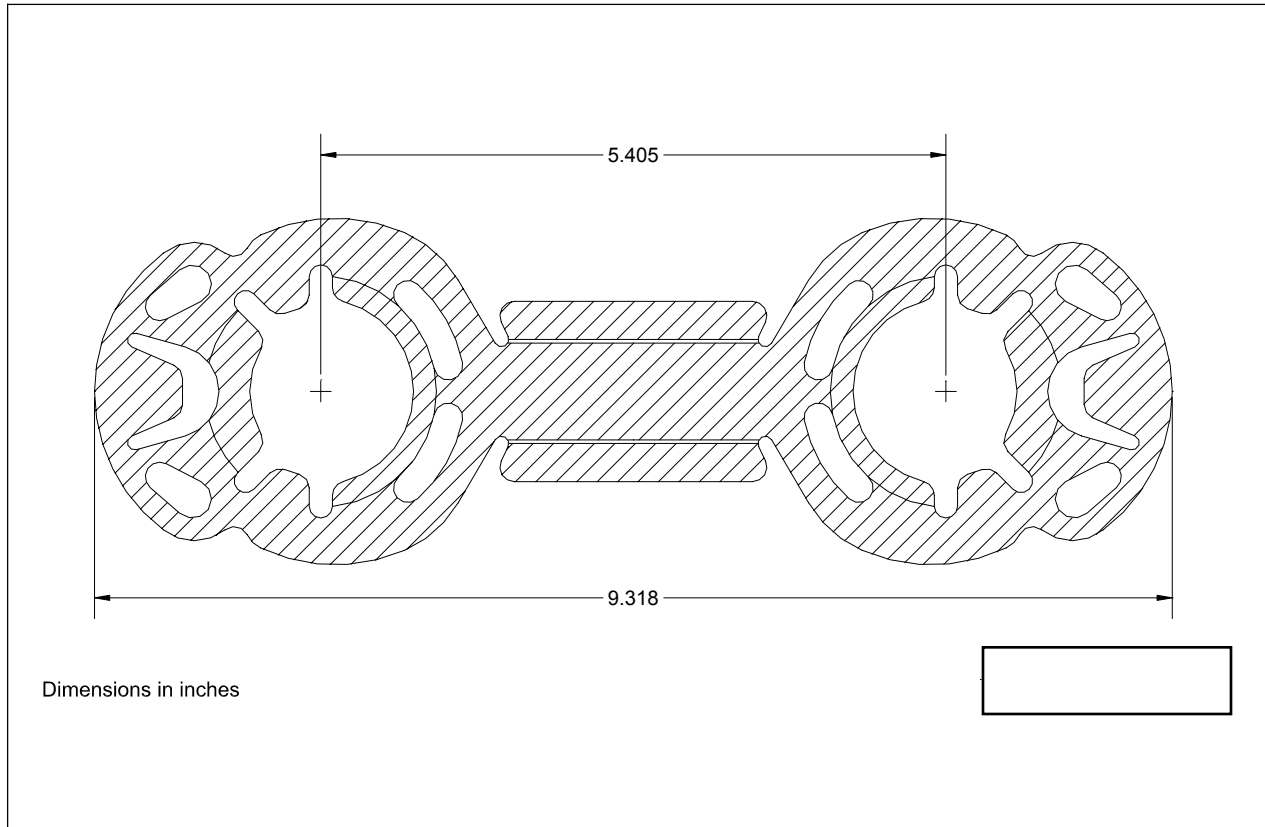


PLASTIC HANDLES & ACCESSORIES

196 Valois,
Vaudreuil-Dorion, Quebec
Canada J7V 1T4
866-455-0040 Fax 450-455-0030
info@plastic-handle.com

Product Specification Sheet

Product Group: **Multipack Carriers**
Sub Group: **B252.43L.55 Series**
Item: **2 Pack Tab 1 gal/96 oz.**



Current Product Numbers

B252.43L.55.NAT Loose, Natural Tab Style Carrier
B252.43L.55.485 Loose, Red Tab Style Carrier
Custom Ask us about customizing a carrier to meet your specifications

Quality Specifications

Material: High Density Polyethylene
Thickness: 0.055" ± 0.001"
Flatness Gauge: 1 Part Thickness
Surface Finish: Gloss
Part Weight: 10.8 grams

Packaging Information

Case Quantity:	<i>Loose:</i> 1,000	<i>Welded:</i> N/A
Case Dimensions:	<i>Loose:</i> 22.625 x 9.5 x 9.5	<i>Welded:</i> N/A
Pads per Case:	<i>Loose:</i> 7	<i>Welded:</i> N/A
Pad Dimensions:	<i>Loose:</i> 8.688 x 8.75	<i>Welded:</i> N/A
Case Weight:	<i>Loose:</i> 29 lbs	<i>Welded:</i> N/A
Pallet Weight:	<i>Loose:</i> 1,883 lbs	<i>Welded:</i> N/A
Cases per Pallet:	<i>Loose:</i> 64	<i>Welded:</i> N/A

Packaging Notes: *Loose* - Seven vertical stacks of 143 parts are placed in a 96C carton. Each stack is separated by a vertical 96P pad. Then the carton is tape sealed. A full pallet load consists of a 40" x 48" pallet with 8 layers of 8 cartons with 1000 parts per carton or 64,000 parts per pallet load. A 40" x 48" pallet pad is used between the 5th and 6th layers. *Welded* - N/A.

For samples and price quotations please contact our office at 866-455-0040 or by email at info@plastic-handle.com