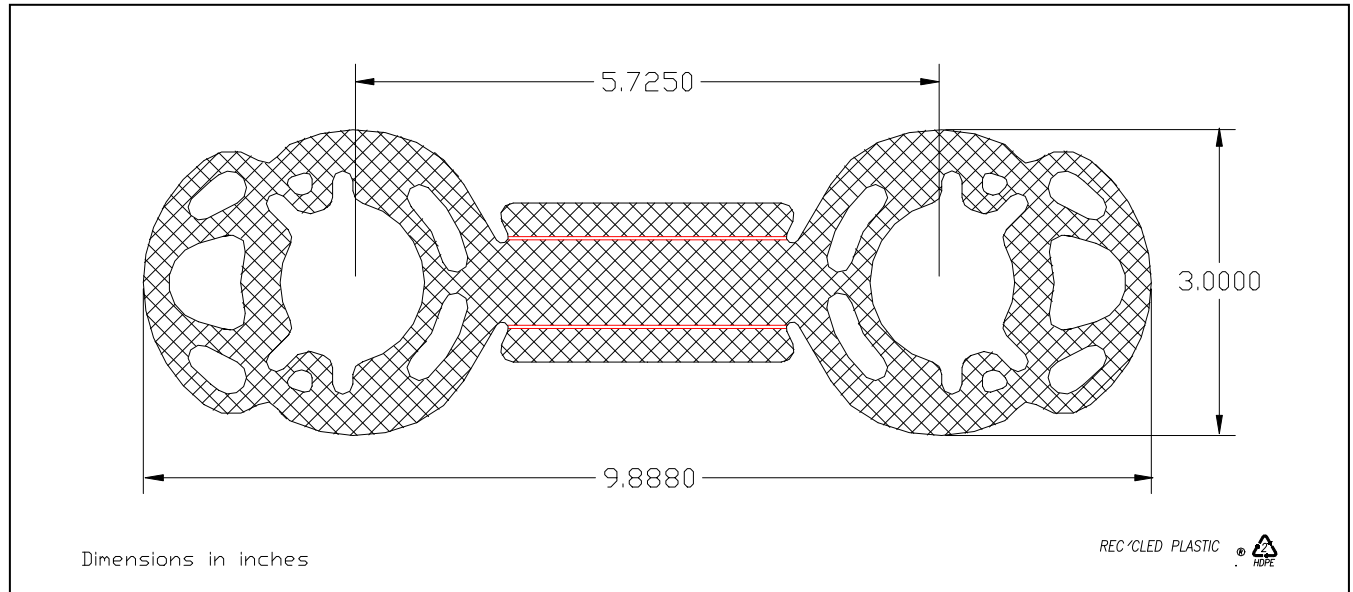


PLASTIC HANDLES & ACCESSORIES

196 Valois,
Vaudreuil-Dorion, Quebec
Canada J7V 1T4
866-455-0040 Fax 450-455-0030
info@plastic-handle.com

Product Specification Sheet

Product Group: **Multipack Carriers**
Sub Group: **B258.43L Series**
Item: **2 Pack Tab 96 oz (Long)**



Current Product Numbers

B258.43L.NAT Loose, Natural Tab Style Carrier
Custom Ask us about customizing a carrier to meet your specifications

Quality Specifications

Material: High Density Polyethylene
Thickness: 0.050" ± 0.001"
Flatness Gauge: 1 Part Thickness
Surface Finish: Gloss
Part Weight: 12.3 grams

Packaging Information

Case Quantity: *Loose:* 1,200
Case Dimensions: *Loose:* 22.685 x 10 x 9
Pads per Case: *Loose:* 7
Pad Dimensions: *Loose:* 8.688 x 8.75
Case Weight: *Loose:* 29 lbs
Pallet Weight: *Loose:* 1,258 lbs
Cases per Pallet: *Loose:* 42

Welded: N/A
Welded: N/A
Welded: N/A
Welded: N/A
Welded: N/A
Welded: N/A

Packaging Notes: *Loose* - A pad is placed on the bottom of the carton, followed by seven vertical stacks of 172 parts. Each stack is separated by a vertical pad. Then the carton is sealed. A full pallet load consists of a 40" x 48" pallet with 7 layers of 6 cartons with 1200 parts per carton or 50,400 parts per pallet load. A 40" x 48" pallet pad is used between the 4th and 5th layers. *Welded* - N/A